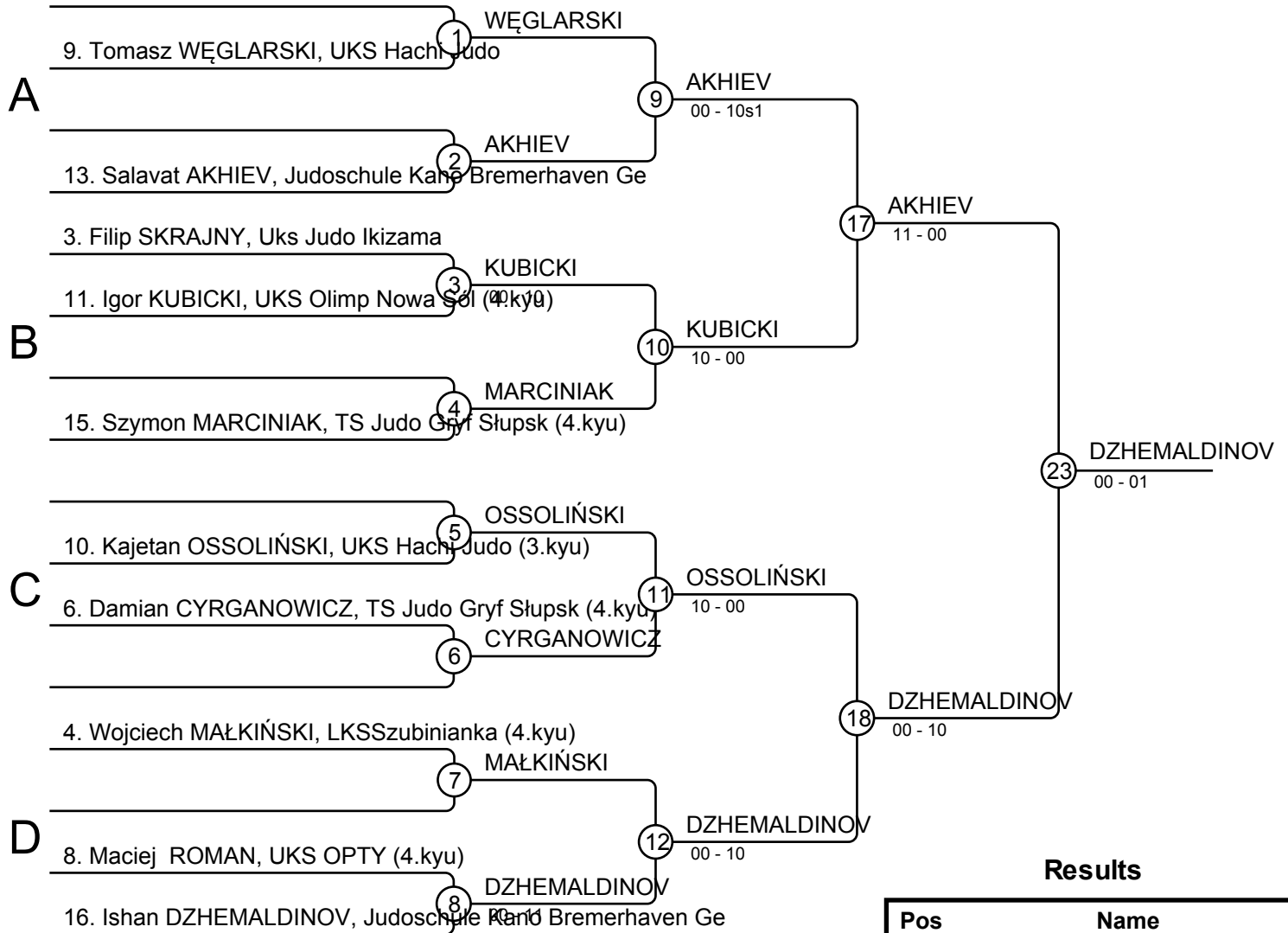


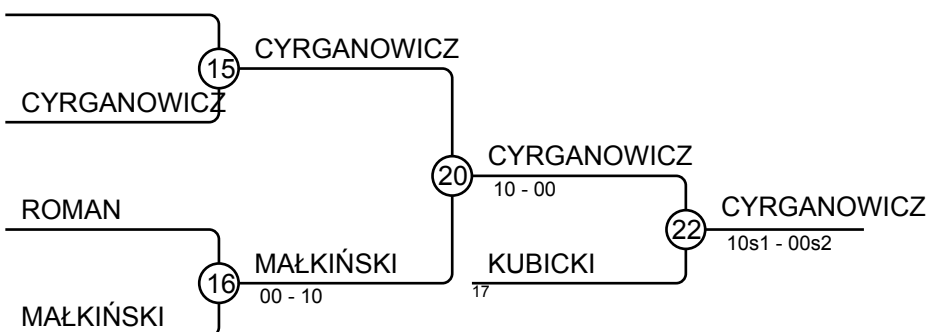
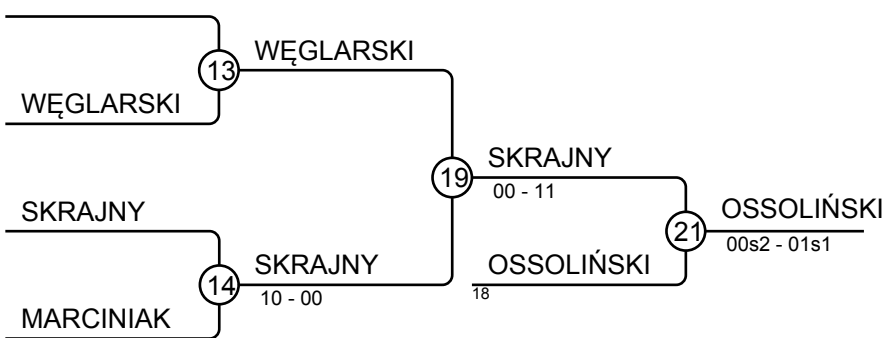
WMTJ 20.03.2022 Suchy Las M U16 -42 kg

Competitors: 10



Results

| Pos | Name |
|-----|--|
| 1 | Ishan DZHEMALDINOV, Judoschule Kano Bremerhaven Ge |
| 2 | Salavat AKHIEV, Judoschule Kano Bremerhaven Ge |
| 3 | Kajetan OSSOLIŃSKI, UKS Hachi Judo |
| 3 | Damian CYRGANOWICZ, TS Judo Gryf Słupsk |
| 5 | Filip SKRAJNY, Uks Judo Ikizama |
| 5 | Igor KUBICKI, UKS Olimp Nowa Sól |
| 7 | Tomasz WĘGLARSKI, UKS Hachi Judo |
| 7 | Wojciech MAŁKIŃSKI, LKSSzubinianka |



WMTJ 20.03.2022 Suchy Las M U16 -46 kg

Competitors A

Competitors: 7

| # | Name | Grade | Club | 1 | 2 | 3 | 4 | Wins | Pts | Pos |
|---|------------------|-------|-------------------------------|---|----|----|----|------|-----|-----|
| 1 | Tomek WRÓBEL | 3.kyu | Uks Judo Ikizama | | 10 | 10 | 10 | 3 | 30 | 1 |
| 2 | Radosław CHUDAK | 4.kyu | UKS Junior w Lipnie | | | | | 0 | 0 | 4 |
| 3 | Mansur VAKHAEV | ? | Judoschule Kano BremerhavenGe | | | 10 | | 2 | 20 | 2 |
| 4 | Piotr LEŚNIEWSKI | ? | LKSSzubinianka | | 10 | | | 1 | 10 | 3 |

Matches A

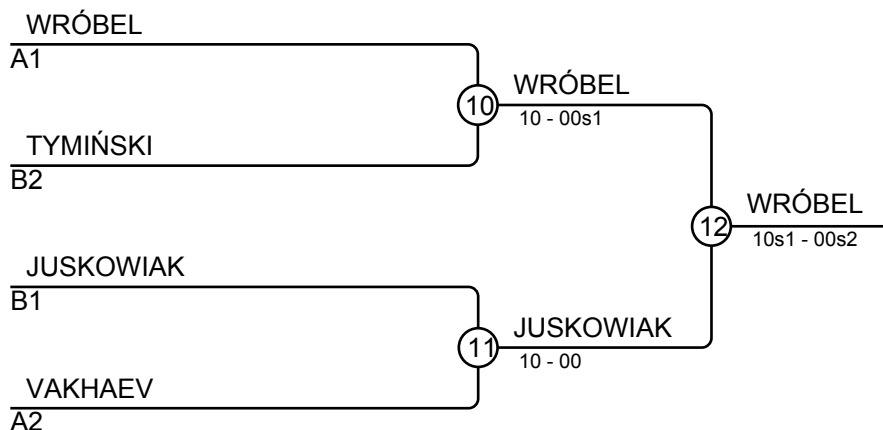
| Match | White | Blue | Result | Time |
|-------|-----------------|----------------------|---------|------|
| 1 | Tomek WRÓBEL | 1 2 Radosław CHUDAK | 10-00 | 0:07 |
| 2 | Mansur VAKHAEV | 3 4 Piotr LEŚNIEWSKI | 10-00 | 0:38 |
| 4 | Tomek WRÓBEL | 1 3 Mansur VAKHAEV | 10-01s2 | 3:43 |
| 5 | Radosław CHUDAK | 2 4 Piotr LEŚNIEWSKI | 00-10 | 0:20 |
| 7 | Tomek WRÓBEL | 1 4 Piotr LEŚNIEWSKI | 10-00s1 | 1:03 |
| 8 | Radosław CHUDAK | 2 3 Mansur VAKHAEV | 00-10 | 0:06 |

Competitors B

| # | Name | Grade | Club | 5 | 6 | 7 | Wins | Pts | Pos |
|---|----------------------|-------|---|----|----|---|------|-----|-----|
| 5 | Szymon FISTEK | ? | MKS JUVENIA WROCŁAW | | | | 0 | 0 | 3 |
| 6 | Maksymilian TYMIŃSKI | 3.kyu | Klub Sportowy Judo Gwardia w Koszalinie | | | | 10 | 2 | |
| 7 | Marcin JUSKOWIAK | 3.kyu | OŚ AZS Poznań | 10 | 10 | | 2 | 20 | 1 |

Matches B

| Match | White | Blue | Result | Time |
|-------|----------------------|--------------------------|---------|------|
| 3 | Szymon FISTEK | 5 6 Maksymilian TYMIŃSKI | 00-11 | 2:41 |
| 6 | Szymon FISTEK | 5 7 Marcin JUSKOWIAK | 00s2-10 | 1:19 |
| 9 | Maksymilian TYMIŃSKI | 6 7 Marcin JUSKOWIAK | 00-10 | 0:48 |

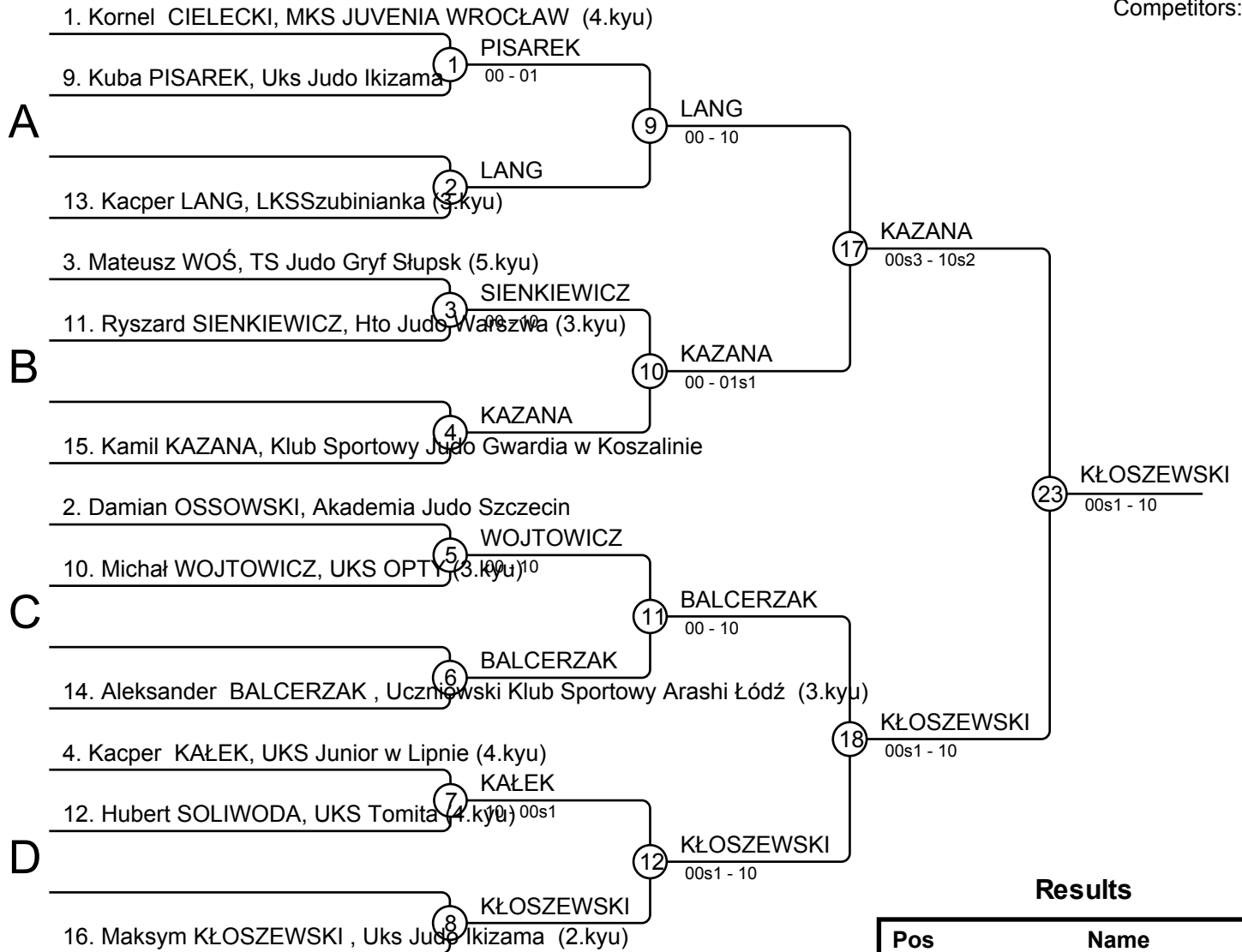


Results

| Pos | Name |
|-----|---|
| 1 | Tomek WRÓBEL, Uks Judo Ikizama |
| 2 | Marcin JUSKOWIAK, OŚ AZS Poznań |
| 3 | Maksymilian TYMIŃSKI, Klub Sportowy Judo Gwardia w Koszalinie |
| 3 | Mansur VAKHAEV, Judoschule Kano BremerhavenGe |

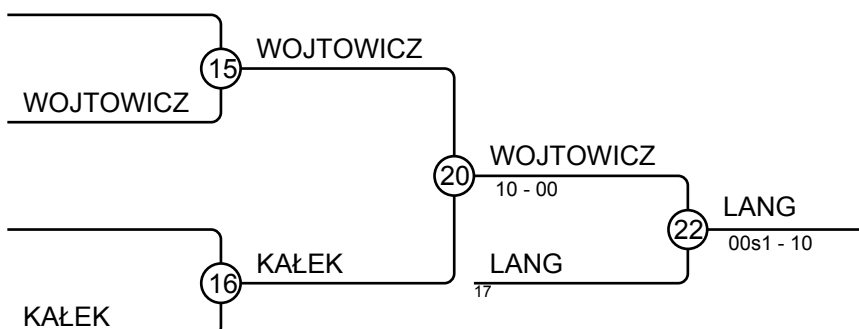
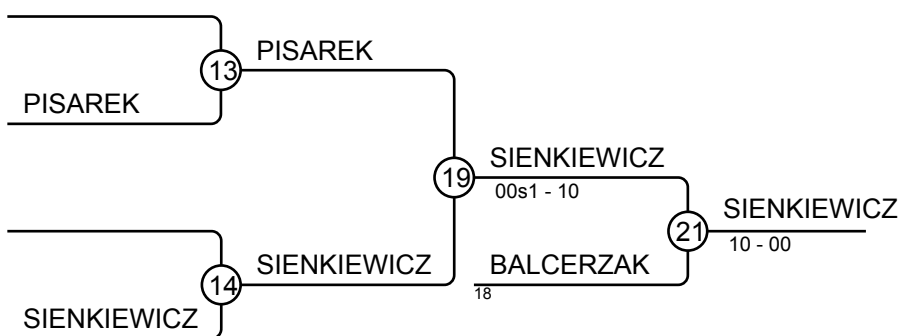
WMTJ 20.03.2022 Suchy Las M U16 -50 kg

Competitors: 12



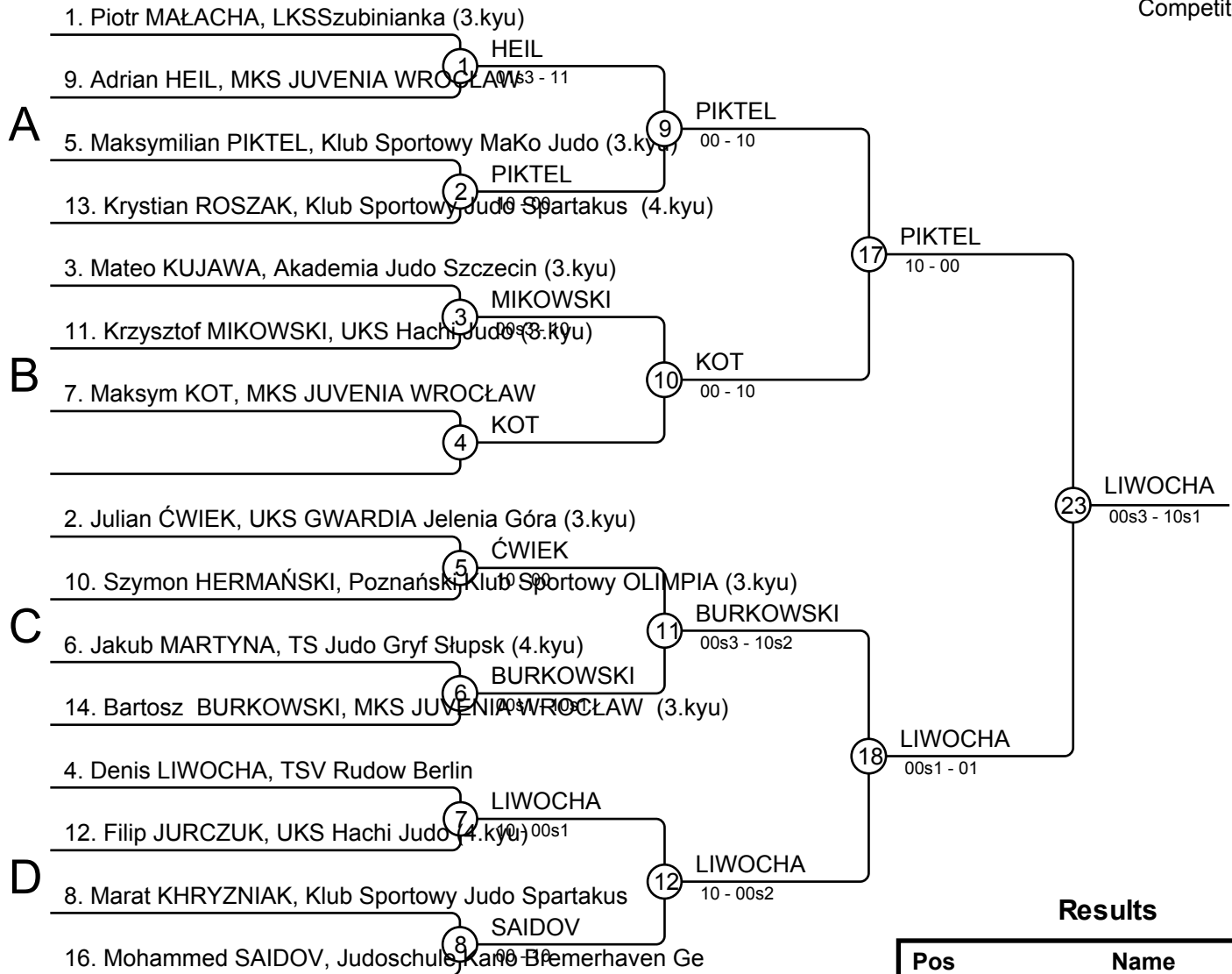
Results

| Pos | Name |
|-----|--|
| 1 | Maksym KŁOSZEWSKI, Uks Judo Ikizama |
| 2 | Kamil KAZANA, Klub Sportowy Judo Gwardia w Koszalinie |
| 3 | Ryszard SIENKIEWICZ, Hto Judo Warszawa |
| 3 | Kacper LANG, LKSSzubinianka |
| 5 | Aleksander BALCERZAK, Uczniowski Klub Sportowy Arashi Łódź |
| 5 | Michał WOJTOWICZ, UKS OPTY |
| 7 | Kuba PISAREK, Uks Judo Ikizama |
| 7 | Kacper KAŁEK, UKS Junior w Lipnie |



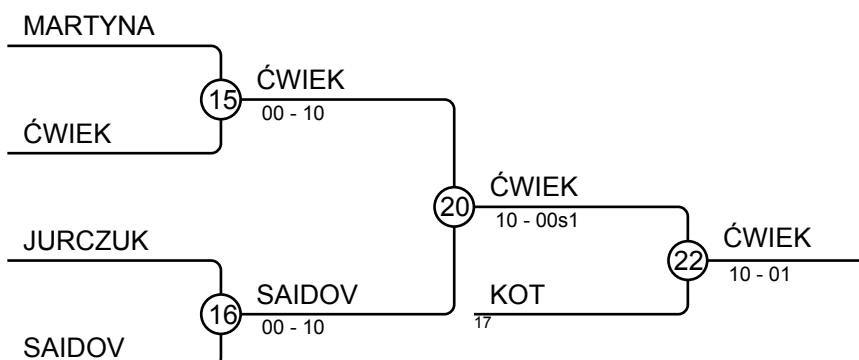
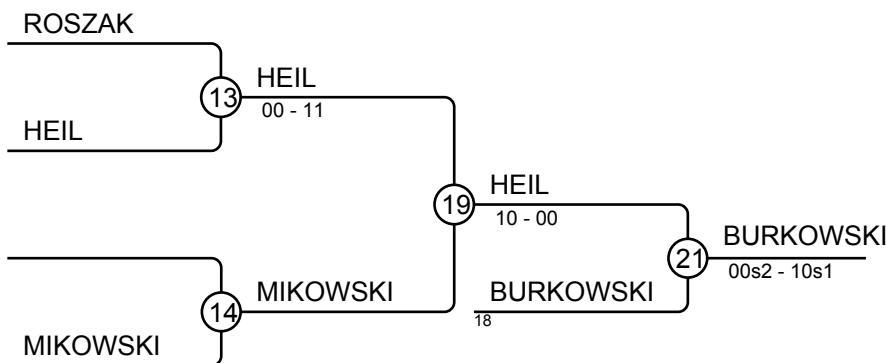
WMTJ 20.03.2022 Suchy Las M U16 -55 kg

Competitors: 15



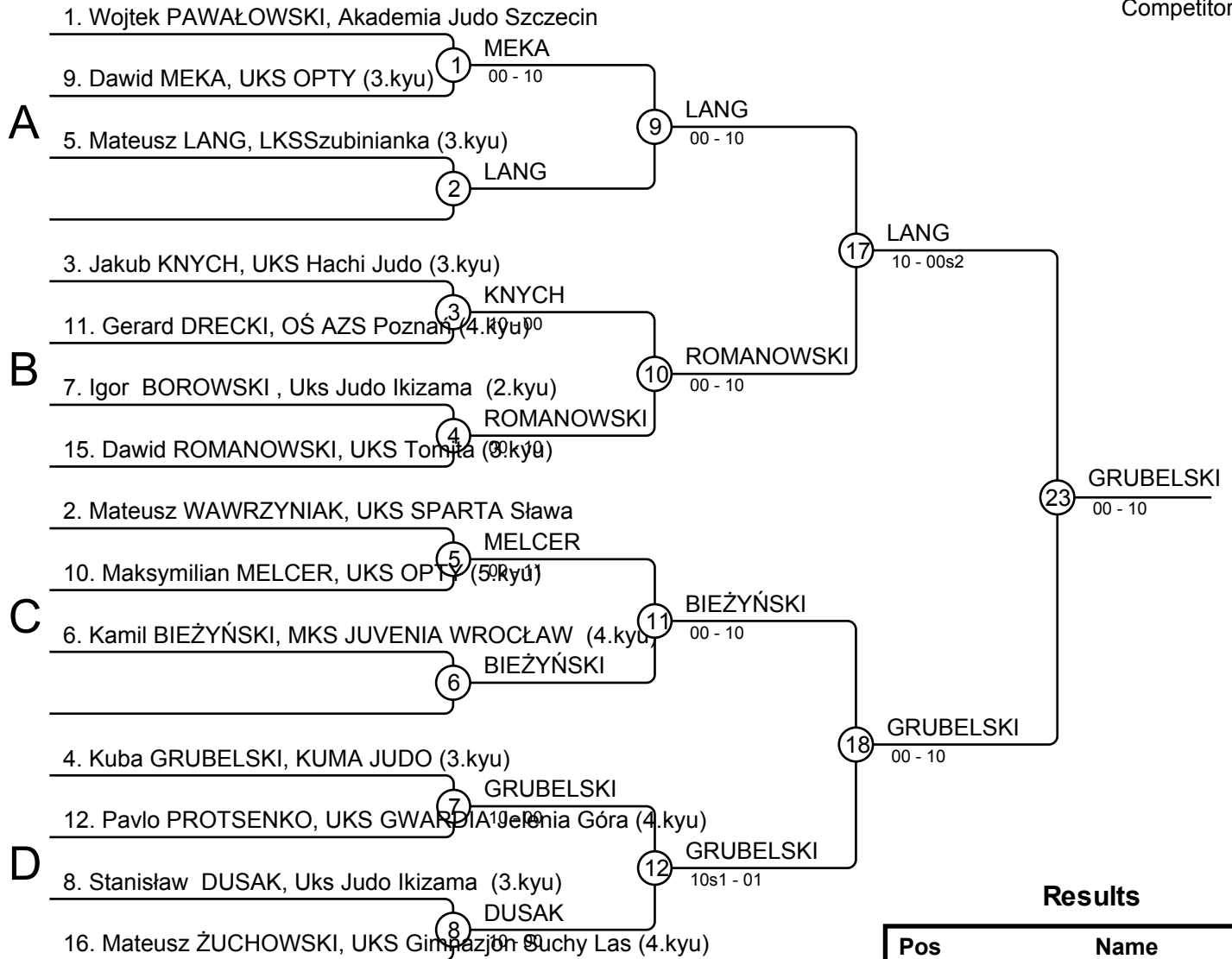
Results

| Pos | Name |
|-----|---|
| 1 | Denis LIWOCHA, TSV Rudow Berlin |
| 2 | Maksymilian PIKTEL, Klub Sportowy MaKo Judo |
| 3 | Bartosz BURKOWSKI, MKS JUVENIA WROCLAW |
| 3 | Julian ĆWIEK, UKS GWARDIA Jelenia Góra |
| 5 | Adrian HEIL, MKS JUVENIA WROCLAW |
| 5 | Maksym KOT, MKS JUVENIA WROCLAW |
| 7 | Krzysztof MIKOWSKI, UKS Hachi Judo |
| 7 | Mohammed SAIDOV, Judoschule Karle-Bremervhagen Ge |



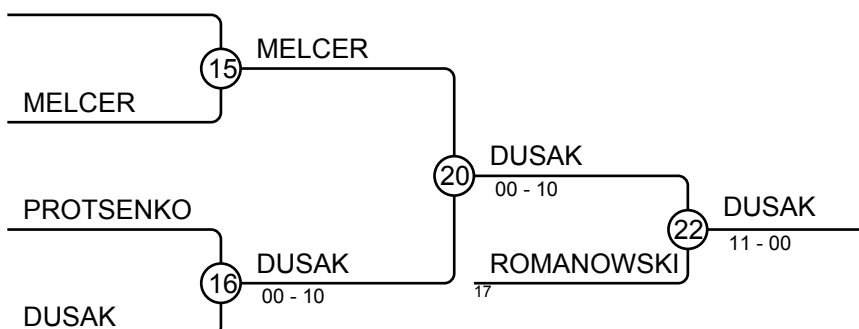
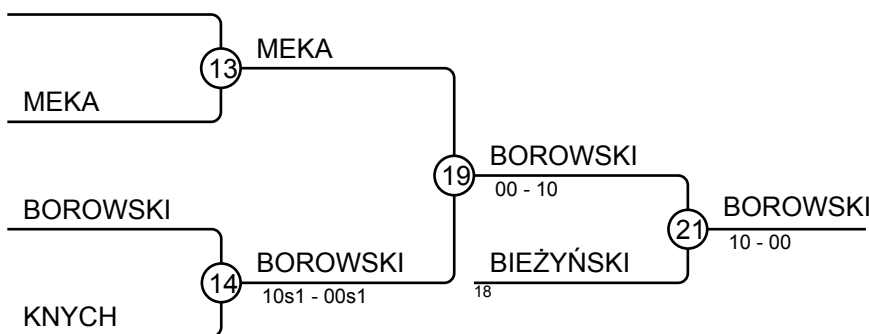
WMTJ 20.03.2022 Suchy Las M U16 -60 kg

Competitors: 14



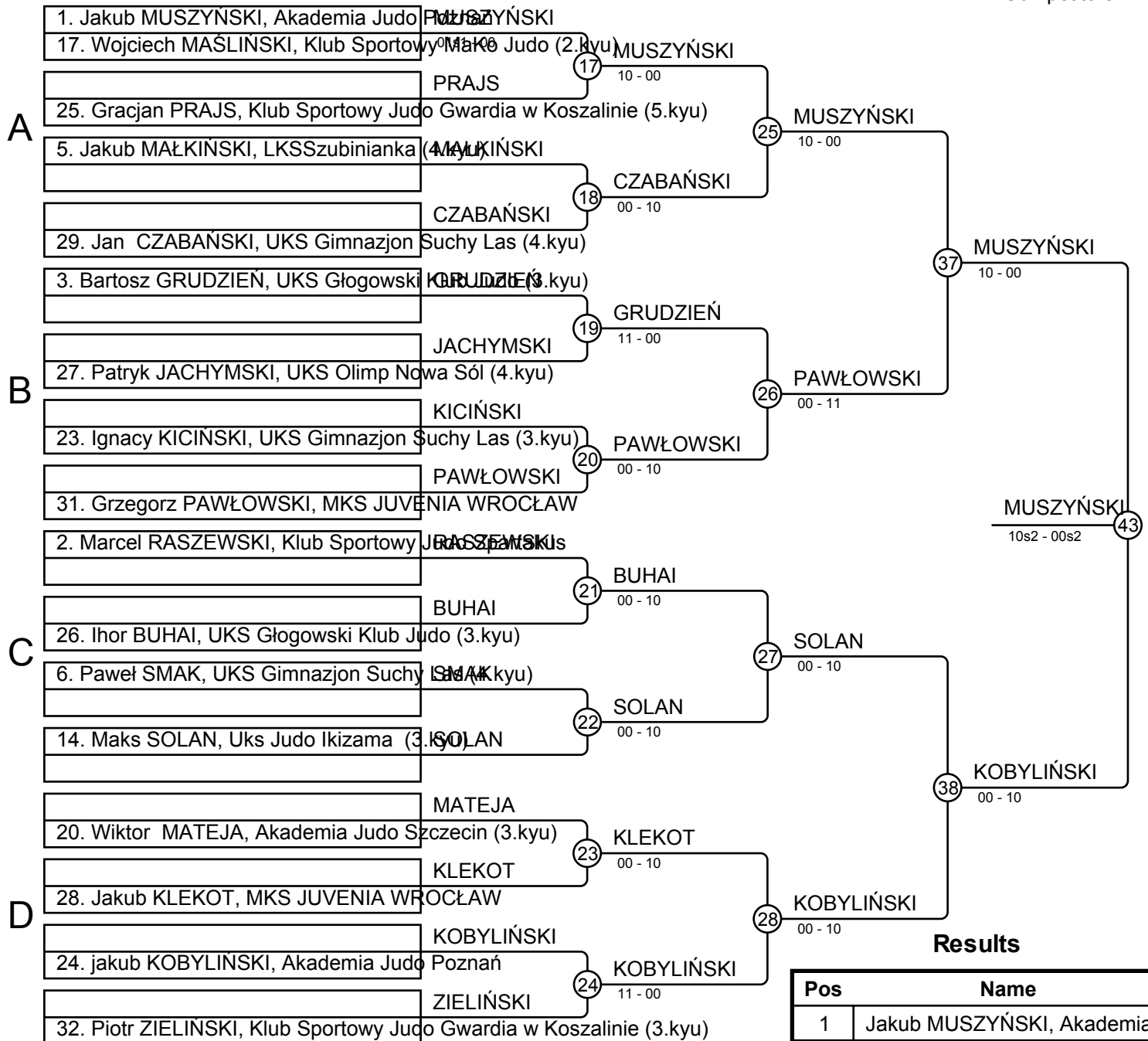
Results

| Pos | Name |
|-----|--------------------------------------|
| 1 | Kuba GRUBELSKI, KUMA JUDO |
| 2 | Mateusz LANG, LKSSzubinianka |
| 3 | Igor BOROWSKI, Uks Judo Ikizama |
| 3 | Stanisław DUSAK, Uks Judo Ikizama |
| 5 | Kamil BIEŻYŃSKI, MKS JUVENIA WROCLAW |
| 5 | Dawid ROMANOWSKI, UKS Tomita |
| 7 | Dawid MEKA, UKS OPTY |
| 7 | Maksymilian MELCER, UKS OPTY |



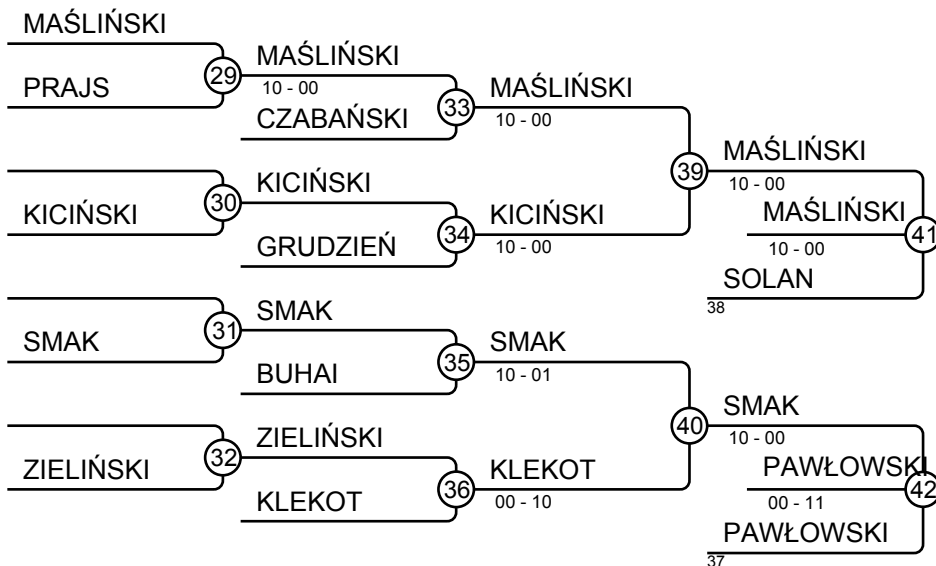
WMTJ 20.03.2022 Suchy Las M U16 -66 kg

Competitors: 17



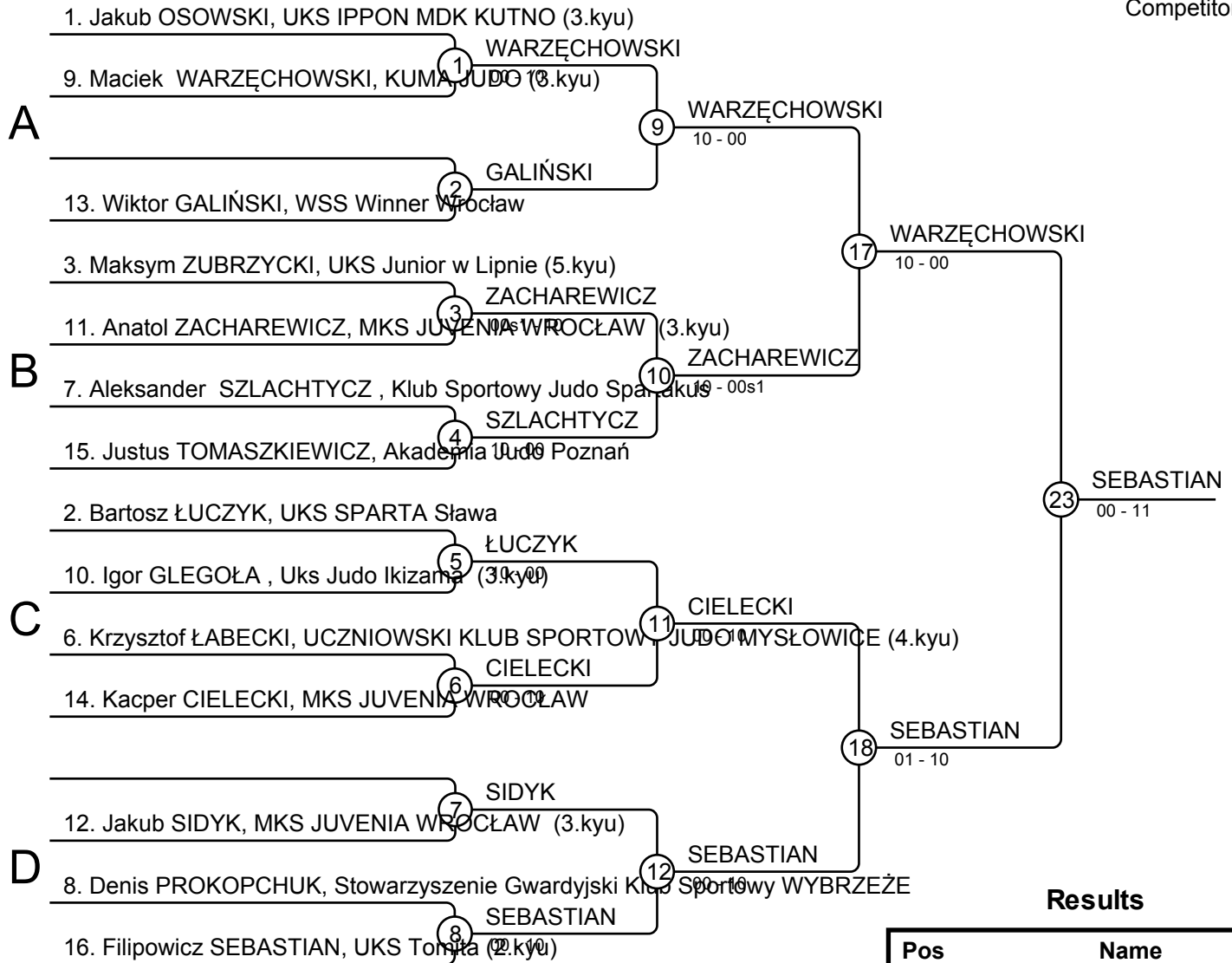
Results

| Pos | Name |
|-----|-----------------------------------|
| 1 | Jakub MUSZYŃSKI, Akademia Judo |
| 2 | jakub KOBYLŃSKI, Akademia Judo |
| 3 | Wojciech MAŚLIŃSKI, Klub Sportowy |
| 3 | Grzegorz PAWŁOWSKI, MKS JUVENIA |
| 5 | Maks SOLAN, Uks Judo Ikizama |
| 5 | Paweł SMAK, UKS Gimnazjon Suchy |
| 7 | Ignacy KICIŃSKI, UKS Gimnazjon Su |
| 7 | Jakub KLEKOT, MKS JUVENIA WRO |



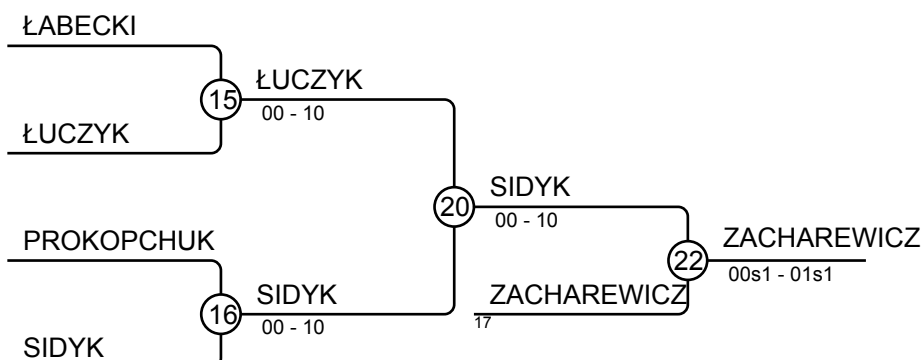
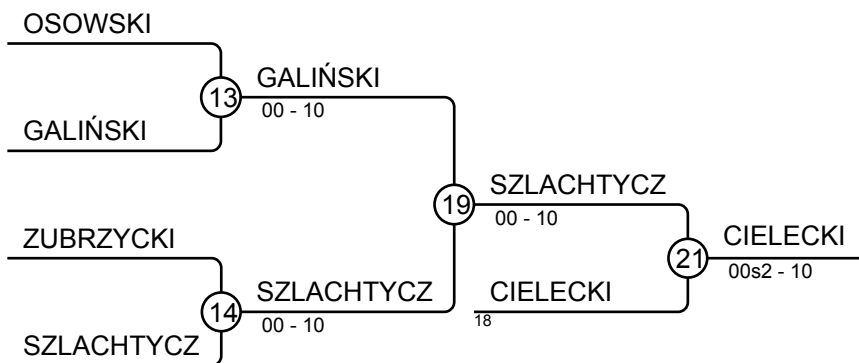
WMTJ 20.03.2022 Suchy Las M U16 -73 kg

Competitors: 14



Results

| Pos | Name |
|-----|--|
| 1 | Filipowicz SEBASTIAN, UKS Tomita |
| 2 | Maciek WARZĘCHOWSKI, KUMA JUDO |
| 3 | Kacper CIELECKI, MKS JUVENIA WROCLAW |
| 3 | Anatol ZACHAREWICZ, MKS JUVENIA WROCLAW |
| 5 | Aleksander SZLACHTYCZ, Klub Sportowy Judo Sparta Sława |
| 5 | Jakub SIDYK, MKS JUVENIA WROCLAW |
| 7 | Wiktor GALIŃSKI, WSS Winner Wrocław |
| 7 | Bartosz ŁUCZYK, UKS SPARTA Sława |



WMTJ 20.03.2022 Suchy Las M U16 -81 kg

Competitors A

Competitors: 8

| # | Name | Grade | Club | 1 | 2 | 3 | 4 | Wins | Pts | Pos |
|---|---------------------|-------|-------------------------|----|----|---|----|------|-----|-----|
| 1 | Seweryn SZCHINDLER | 4.kyu | UKS Olimp Nowa Sól | | | | | 0 | 0 | 4 |
| 2 | Mateusz SIERAKOWSKI | 3.kyu | KUMA JUDO | 10 | | | 7 | 2 | 17 | 2 |
| 3 | Adrian SZUROWSKI | 3.kyu | UKS OPTY | 10 | 10 | | 10 | 3 | 30 | 1 |
| 4 | Piotr MAĆKOWIAK | 4.kyu | UKS Gimnazjon Suchy Las | 10 | | | | 1 | 10 | 3 |

Matches A

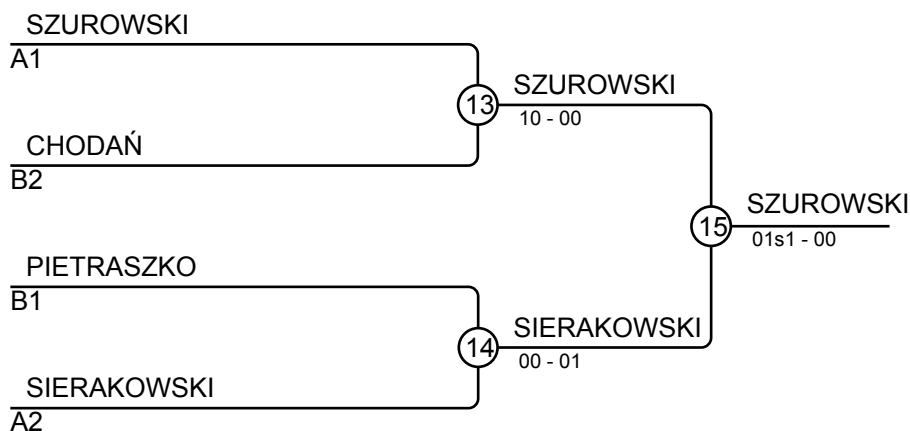
| Match | White | Blue | Result | Time |
|-------|-------------------------|---------------------|---------|------|
| 1 | Seweryn SZCHINDLER 1 2 | Mateusz SIERAKOWSKI | 00-10 | 0:18 |
| 3 | Adrian SZUROWSKI 3 4 | Piotr MAĆKOWIAK | 10-00 | 0:30 |
| 5 | Seweryn SZCHINDLER 1 3 | Adrian SZUROWSKI | 00-10 | 0:25 |
| 7 | Mateusz SIERAKOWSKI 2 4 | Piotr MAĆKOWIAK | 01-00s2 | 3:00 |
| 9 | Seweryn SZCHINDLER 1 4 | Piotr MAĆKOWIAK | 00-10 | 1:19 |
| 11 | Mateusz SIERAKOWSKI 2 3 | Adrian SZUROWSKI | 00-10s1 | 3:00 |

Competitors B

| # | Name | Grade | Club | 5 | 6 | 7 | 8 | Wins | Pts | Pos |
|---|-------------------|-------|---|---|----|----|----|------|-----|-----|
| 5 | Tomasz PIETRASZKO | 3.kyu | UKS Narew Łapy | | 10 | 10 | 10 | 3 | 30 | 1 |
| 6 | Adam KRAKOWIAK | 5.kyu | UKS Olimp Nowa Sól | | | | | 0 | 0 | 4 |
| 7 | Mikołaj CHODAŃ | 2.kyu | Towarzystwo Sportowe GWARDIA Olsztyn | | | | | 2 | 20 | 2 |
| 8 | Robert HABZA | 3.kyu | Klub Sportowy Judo Gwardia W Koszalinie | | | | | 1 | 10 | 3 |

Matches B

| Match | White | Blue | Result | Time |
|-------|-----------------------|----------------|---------|------|
| 2 | Tomasz PIETRASZKO 5 6 | Adam KRAKOWIAK | 10-00 | 0:55 |
| 4 | Mikołaj CHODAŃ 7 8 | Robert HABZA | 10-00 | 0:45 |
| 6 | Tomasz PIETRASZKO 5 7 | Mikołaj CHODAŃ | 10-00 | 0:13 |
| 8 | Adam KRAKOWIAK 6 8 | Robert HABZA | 00-10 | 0:28 |
| 10 | Tomasz PIETRASZKO 5 8 | Robert HABZA | 10-00s1 | 1:58 |
| 12 | Adam KRAKOWIAK 6 7 | Mikołaj CHODAŃ | 00-10 | 0:09 |



Results

| Pos | Name |
|-----|--|
| 1 | Adrian SZUROWSKI, UKS OPTY |
| 2 | Mateusz SIERAKOWSKI, KUMA JUDO |
| 3 | Mikołaj CHODAŃ, Towarzystwo Sportowe GWARDIA Olsztyn |
| 3 | Tomasz PIETRASZKO, UKS Narew Łapy |

WMTJ 20.03.2022 Suchy Las M U16 -90 kg

Competitors

Competitors: 4

| # | Name | Grade | Club | 1 | 2 | 3 | 4 | Wins | Pts | Pos |
|---|----------------|-------|-------------------------|----|----|---|---|------|-----|-----|
| 1 | Hubert SOWKA | 3.kyu | UKS Dwunastka | | 10 | | | 1 | 10 | 3 |
| 2 | Marceli MOSZYK | ? | UKS SPARTA Sława | | | | | 0 | 0 | 4 |
| 3 | Jan PRZYBYSZ | ? | Akademia Judo Szczecin | 10 | 10 | | | 2 | 20 | 2 |
| 4 | Dawid KAMIŃSKI | 3.kyu | Klub Sportowy MaKo Judo | 10 | 10 | 7 | | 3 | 27 | 1 |

Matches

| Match | White | | | Blue | Result | Time |
|-------|----------------|---|---|----------------|-----------|------|
| 1 | Hubert SOWKA | 1 | 2 | Marceli MOSZYK | 10-00 | 0:26 |
| 2 | Jan PRZYBYSZ | 3 | 4 | Dawid KAMIŃSKI | 00s1-01s1 | 3:00 |
| 3 | Hubert SOWKA | 1 | 3 | Jan PRZYBYSZ | 00-10 | 0:45 |
| 4 | Marceli MOSZYK | 2 | 4 | Dawid KAMIŃSKI | 00-10 | 0:19 |
| 5 | Hubert SOWKA | 1 | 4 | Dawid KAMIŃSKI | 00-10 | 0:00 |
| 6 | Marceli MOSZYK | 2 | 3 | Jan PRZYBYSZ | 00-10 | 1:00 |

Results

| Pos | Name |
|-----|---|
| 1 | Dawid KAMIŃSKI, Klub Sportowy MaKo Judo |
| 2 | Jan PRZYBYSZ, Akademia Judo Szczecin |
| 3 | Hubert SOWKA, UKS Dwunastka |
| 4 | Marceli MOSZYK, UKS SPARTA Sława |

WMTJ 20.03.2022 Suchy Las M U16 p90 kg

Competitors

Competitors: 4

| # | Name | Grade | Club | 1 | 2 | 3 | 4 | Wins | Pts | Pos |
|---|-------------------|-------|---------------------------|----|----|---|----|------|-----|-----|
| 1 | Mikołaj BRZEZICKI | 4.kyu | UKS Kodokan Toruń | | | | 10 | 1 | 10 | 3 |
| 2 | Łukasz KORDYL | 4.kyu | MKS Olimpijczyk Włocławek | 10 | | | 10 | 2 | 20 | 2 |
| 3 | Nikodem BIAŁK | 3.kyu | UKS SIMBA | 10 | 10 | | 10 | 3 | 30 | 1 |
| 4 | Natan LABUDA | 4.kyu | TS Judo Gryf Słupsk | | | | | 0 | 0 | 4 |

Matches

| Match | White | Blue | Result | Time |
|-------|--------------------------|---------------|-----------|------|
| 1 | Mikołaj BRZEZICKI 1 2 | Łukasz KORDYL | 00-10 | 0:18 |
| 2 | Nikodem BIAŁK 3 4 | Natan LABUDA | 10-00 | 0:22 |
| 3 | Mikołaj BRZEZICKI 1 3 | Nikodem BIAŁK | 00s1-11s1 | 1:38 |
| 4 | Łukasz KORDYL 2 4 | Natan LABUDA | 10-00 | 0:11 |
| 5 | Mikołaj BRZEZICKI 1 4 | Natan LABUDA | 10-00 | 0:23 |
| 6 | Łukasz KORDYL 2 3 | Nikodem BIAŁK | 00-10 | 2:42 |

Results

| Pos | Name |
|-----|--|
| 1 | Nikodem BIAŁK, UKS SIMBA |
| 2 | Łukasz KORDYL, MKS Olimpijczyk Włocławek |
| 3 | Mikołaj BRZEZICKI, UKS Kodokan Toruń |
| 4 | Natan LABUDA, TS Judo Gryf Słupsk |